

LEVER HOIST

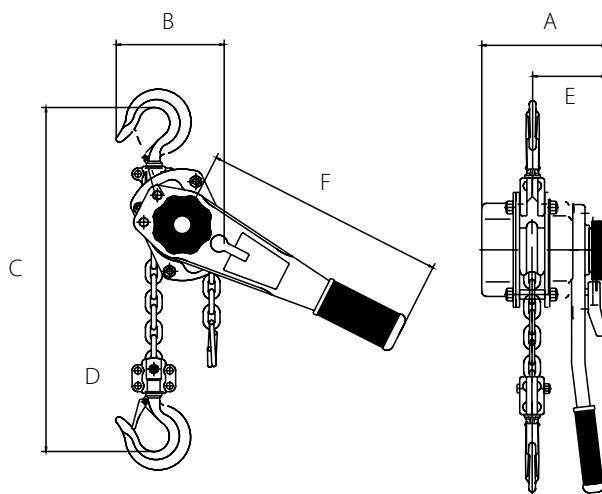


Excludes
1/4 Ton Model

Features

- All-steel construction
- Aluminum construction (1/4 Ton Model)
- Long lasting powder coat finish
- Steel handle with rubber grip
- Minimal load lifting effort
- Weston-Style brake system with twin pawl design
- 100% load tested grade 80 alloy chain
- Fully-enclosed gearing
- Load sheave bearings
- Forged alloy steel hooks
- Heavy-duty latches
- Carrying bag (1/4 Ton Model)

Standards - CE, ANSI B30.21, AS1418.2



OZIND025-LH

OZIND075-LH

	OZIND025-LH	OZIND075-LH	OZIND150-LH	OZIND300-LH
Capacity (tons)	0.25	0.75	1.5	3
Effort to Lift S.W.L (lbs)	44	40s	66s	88s
Falls of Chain	1	1	1	1
Load Chain Diameter (mm)	4x12	6x18	8x24	10x30
Product Dimensions (in)	A	3.86	6.02	6.89
	B	3.62	5.31	5.91
	C	9.45	13.38	16.14
	D	0.83	1.1	1.26
	E	2.36	3.62	3.98
	F	6.3	12.2	16.34
Net Weight (lbs)	3.8	11.8	20	35.6

***Standard Lift: 5, 10, 15 and 20 ft.**

***.25 T Models Standard Lift: 5 and 10 ft.**

We also do custom rigging

*Dimensions are for reference only and subject to change without notice.



CHAIN HOIST

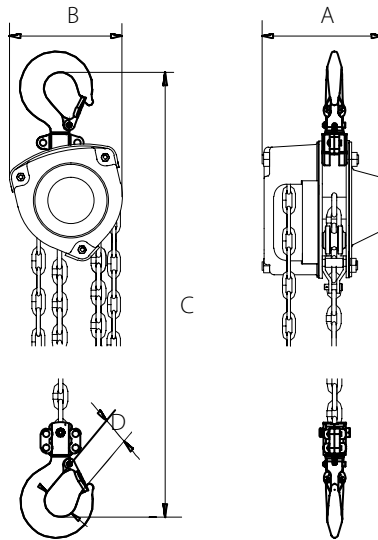


Excludes
¼ Ton Model

Features

- All-steel construction
- Long lasting powder coat finish
- Minimal load lifting effort
- 100% load tested Grade 80 alloy chain
- Weston-Style brake system with twin pawl design
- Zinc plated hand chain
- Fully-enclosed gearing
- Load sheave bearings
- Forged alloy steel hooks
- Thrust bearing on lower hook
- Heavy-duty latches

Standards - CE, ANSI B30.16 and AS1418.2



OZIND020-CH



	OZIND025-CH	OZIND005-CH	OZIND010-CH	OZIND020-CH
Capacity (tons)	0.25	0.5	1	2
Effort to Lift S.W.L (lbs)	55	55	66	88
Falls of Chain	1	1	1	1
Load Chain Diameter (mm)	4x12	5x15	6x18	8x24
Product Dimensions (in)	A	4.02	5.2	5.98
	B	4.18	5.35	5.75
	C	10.2	12.8	14.6
	D	1.3	1.38	1.73
Net Weight (lbs)	4.17	9.9	16	18.8

***Standard Lift: 10, 15, 20, and 30 ft**

***.25 T Models Standard Lift: 10 ft.**

We also do custom rigging

*Dimensions are for reference only and subject to change without notice.

